

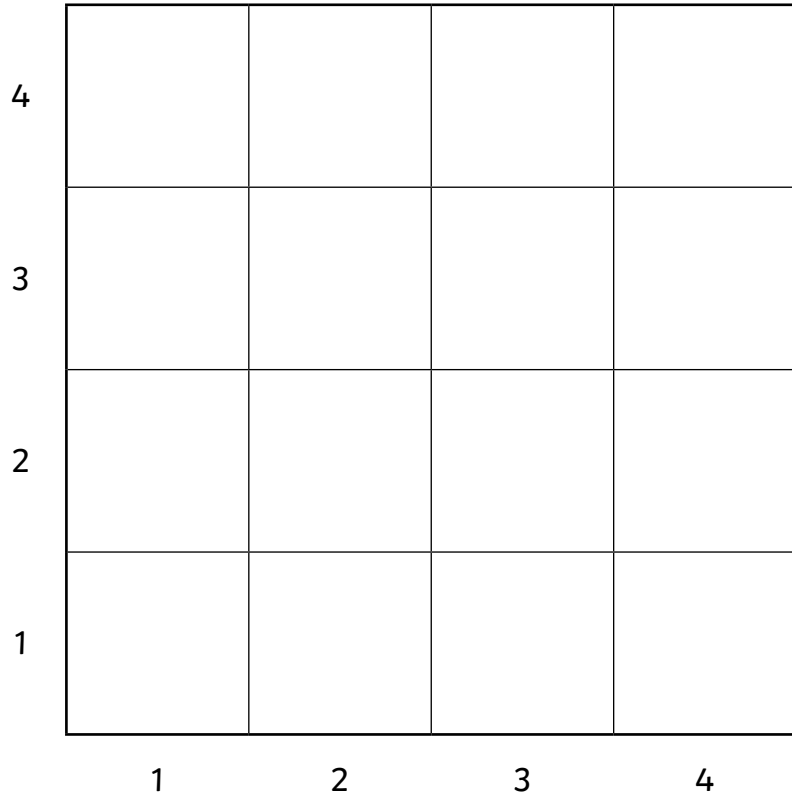


Star Grid Game

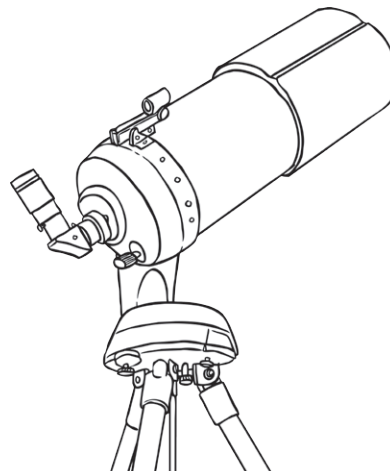
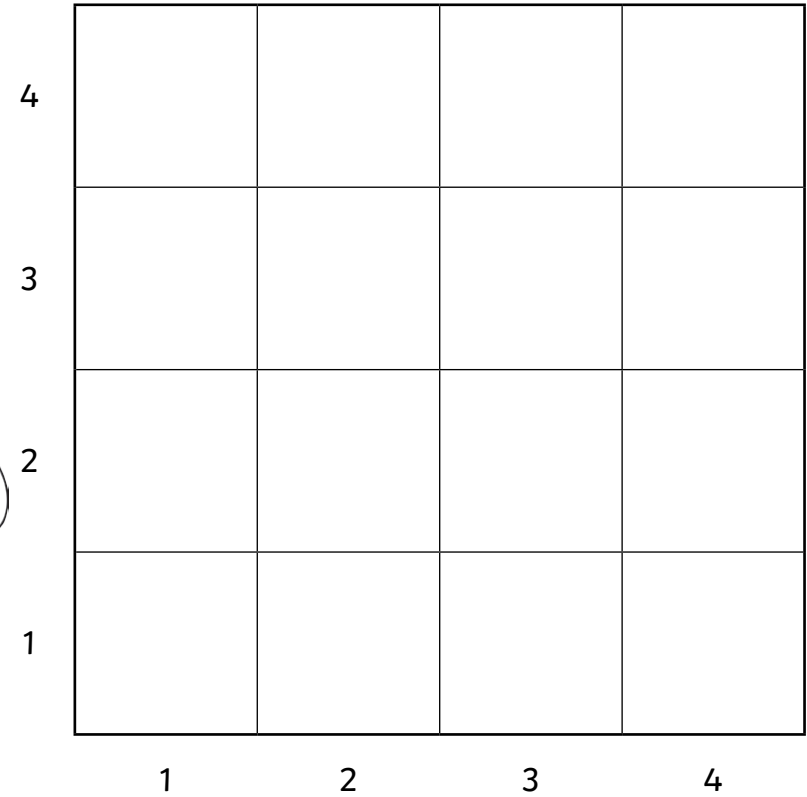
I can perform mental calculations with mixed operations.



Hide your three stars on this grid in different coordinate squares.



Use this grid to help you find your partner's stars.



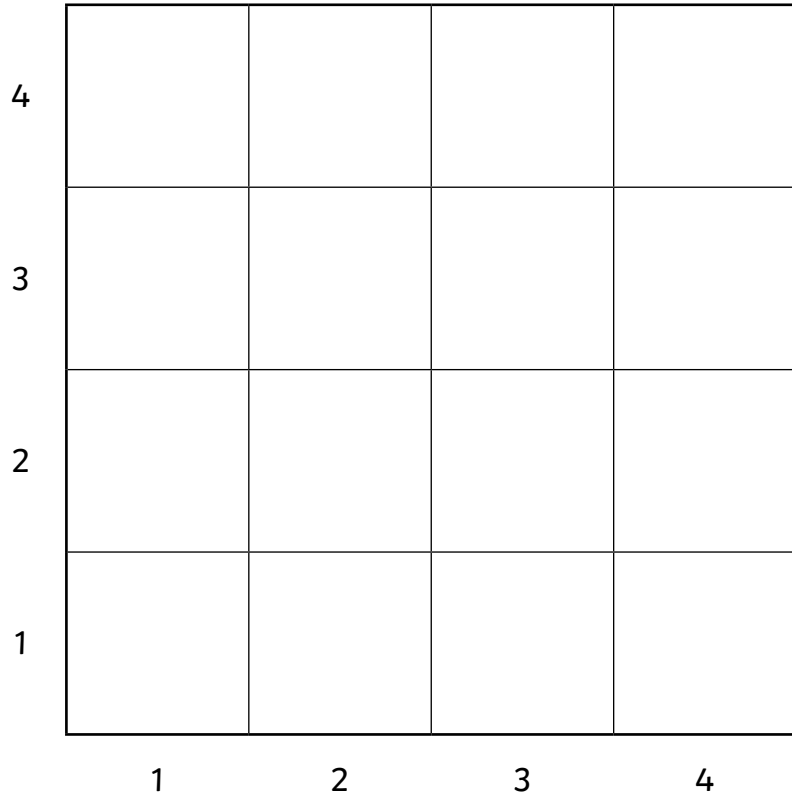


Star Grid Game

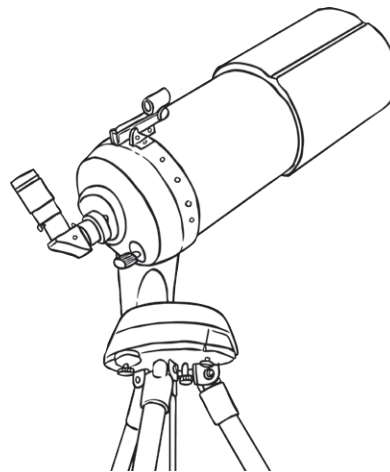
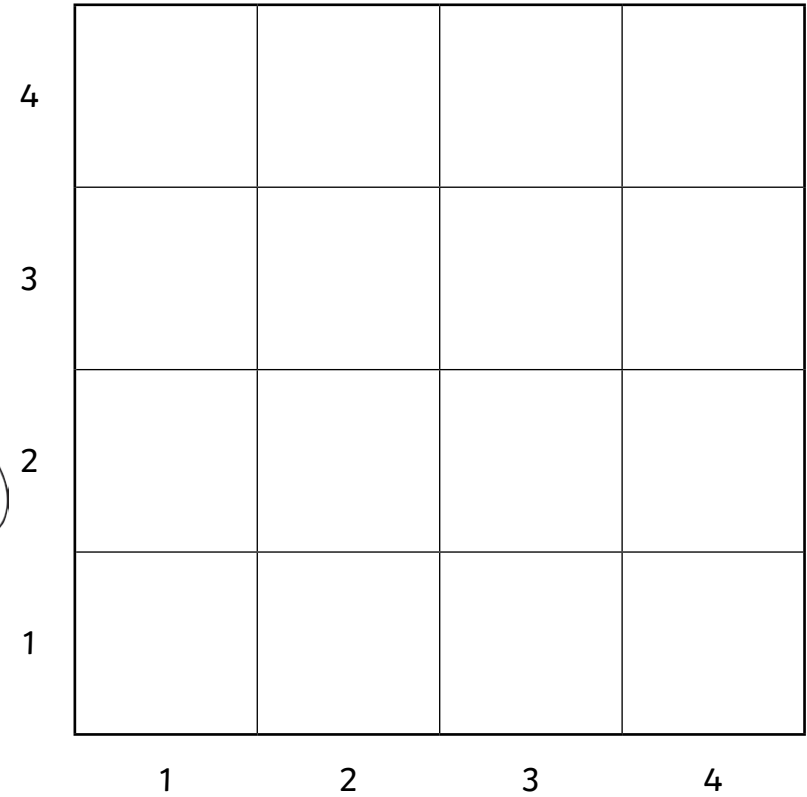
I can perform mental calculations with mixed operations.



Hide your three stars on this grid in different coordinate squares.



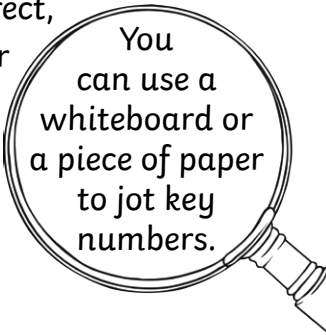
Use this grid to help you find your partner's stars.





Player One Card

Choose a question from your pack to complete. Once completed, your partner will check the answer using the answer sheet included in their pack. If your answer is correct, you may choose a coordinate to find your partner's hidden stars. Repeat again with your partner. You have your partner's answer sheet included in your pack to check their answers. The first person to find all their partner's hidden stars wins!



1) 280.50 $+ 5829$ $+ 154.4$	2) 25430 $\div 10$ $+ 124.7$	3) 23.1 $\times 4$ $- 15.2$	4) 53.5 $\times 4$ $+ 20.75$
5) 1800 $\div 3$ $\times 20$	6) 879 $\div 3$ $+ 33$	7) 71 $\times 8$ $- 50.5$	8) 48.5 $\times 10$ $+ 495$
9) 55.5 $\div 5$ $\times 100$	10) 4.5 $+ 9.8$ $+ 15.4$	11) 1045 $- 50$ $- 4.5$	12) 89.9 $+ 76.4$ $+ 15.0$
13) 15 $\times 2.5$ $+ 15$	14) 2.3 $\times 8$ $- 4.7$	15) 90 $\div 4$ $+ 78.5$	16) 284.5 $+ 3824$ $- 101.5$

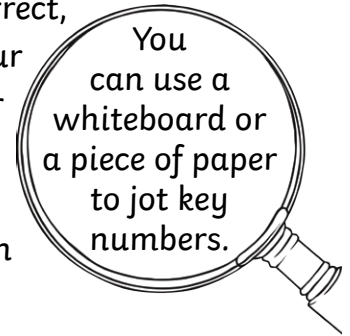
Player 2's answers

- 1) 1110
- 2) 29.7
- 3) 990.5
- 4) 181.3
- 5) 52.5
- 6) 13.7
- 7) 101
- 8) 4007
- 9) 6263.9
- 10) 2667.7
- 11) 77.2
- 12) 234.75
- 13) 12 000
- 14) 326
- 15) 517.5
- 16) 980



Player Two Card

Choose a question from your pack to complete. Once completed, your partner will check the answer using the answer sheet included in their pack. If your answer is correct, you may choose a coordinate to find your partner's hidden stars. Repeat again with your partner. You have your partner's answer sheet included in your pack to check their answers. The first person to find all their partner's hidden stars wins!



1) 55.5 $\div 5$ $\times 100$	2) 4.5 $+ 9.8$ $+ 15.4$	3) 1045 $- 50$ $- 4.5$	4) 89.9 $+ 76.4$ $+ 15.0$
5) 15 $\times 2.5$ $+ 15$	6) 2.3 $\times 8$ $- 4.7$	7) 90 $\div 4$ $+ 78.5$	8) 284.5 $+ 3824$ $- 101.5$
9) 280.50 $+ 5829$ $+ 154.4$	10) 25430 $\div 10$ $+ 124.7$	11) 23.1 $\times 4$ $- 15.2$	12) 53.5 $\times 4$ $+ 20.75$
13) 1800 $\div 3$ $\times 20$	14) 879 $\div 3$ $+ 33$	15) 71 $\times 8$ $- 50.5$	16) 48.5 $\times 10$ $+ 495$

Player 1's answers

- 1) 6263.9
- 2) 2667.7
- 3) 77.2
- 4) 234.75
- 5) 12 000
- 6) 326
- 7) 517.5
- 8) 980
- 9) 1110
- 10) 29.7
- 11) 990.5
- 12) 181.3
- 13) 52.5
- 14) 13.7
- 15) 101
- 16) 4007